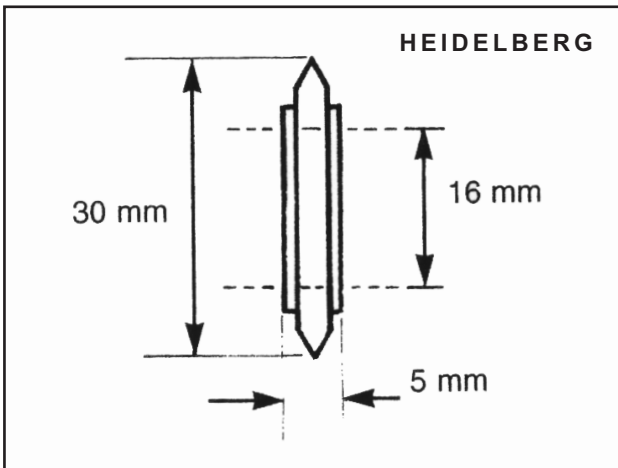




DURAPERF PERFORATING WHEELS

RANGE

Slitter, Scoring, Perforating and Micro Perf Wheels
30 – 70 TPI (teeth per inch)



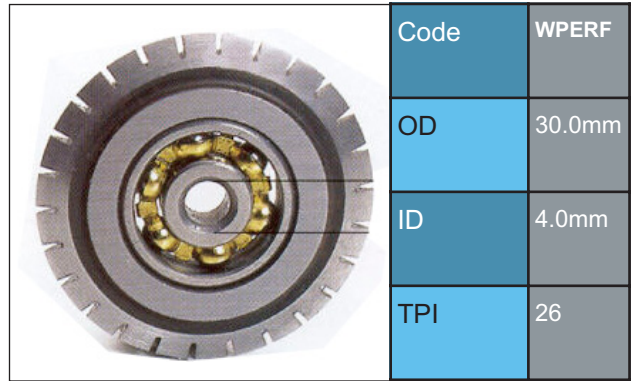
QUALITY

- Circular precision cutting
- Long lasting and resistant to damage to cutting edge
- Steel qualities – chrome alloy, high carbon/high chrome and high speed steel

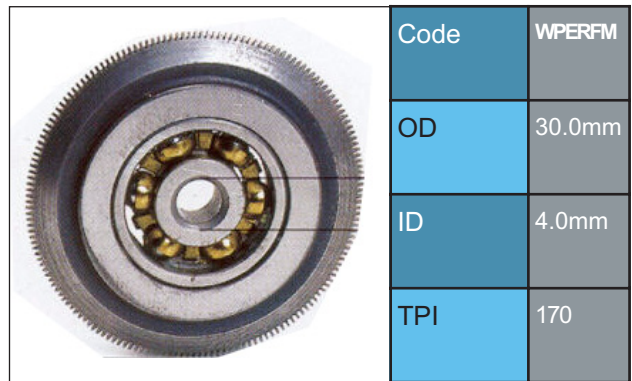
AVAILABILITY

Available for a wide range of machines, as well as the standard 30mm wheel for Heidelberg pictured, including:

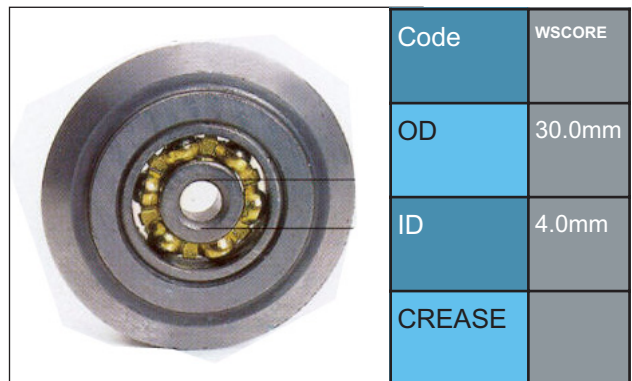
Drent, Grapha, Giebler, Morgan, Miyakoshi, Taiyo, Rotatek, Imer, Scriber, Doverstar, Formall, L&M, Bunch, Timson, Avon, Akira, Ryobi, Didde, Superweb, Offcon, Arsoma.



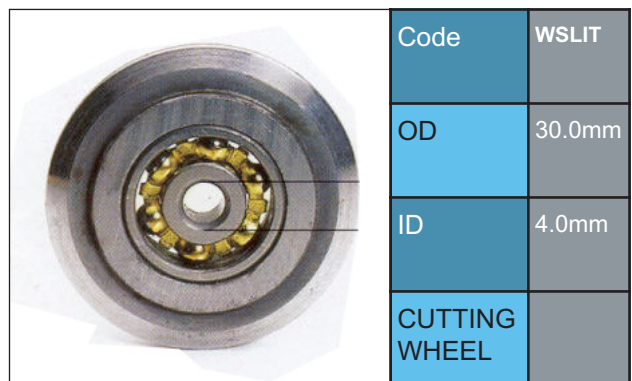
HEIDELBERG GTO / M SERIES



HEIDELBERG GTO / M SERIES



HEIDELBERG GTO / M SERIES



HEIDELBERG GTO / M SERIES